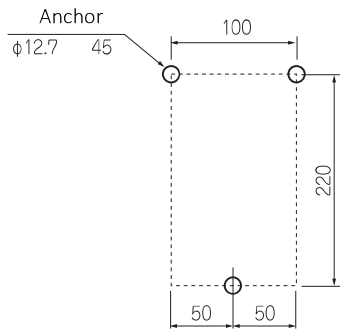
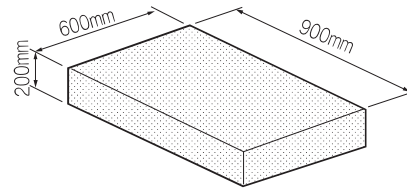


Base & Body Assembly

1. Drill hole for anchor mounting

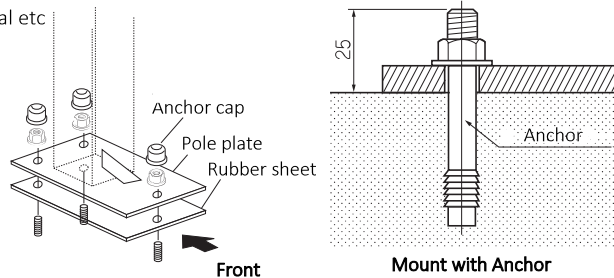


*Concrete base construction is needed because rack is fixed to the floor with anchor.

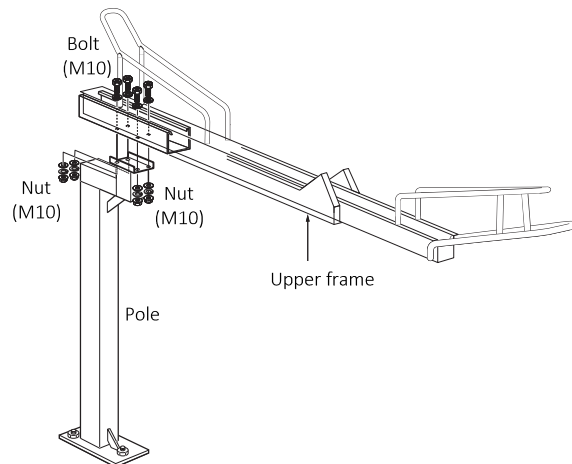


2. Pole Installation

- *Keep horizontal and vertical with mortar etc
- *Anchor(option) is set with anchor cap



3. Mount upper frame on the pole

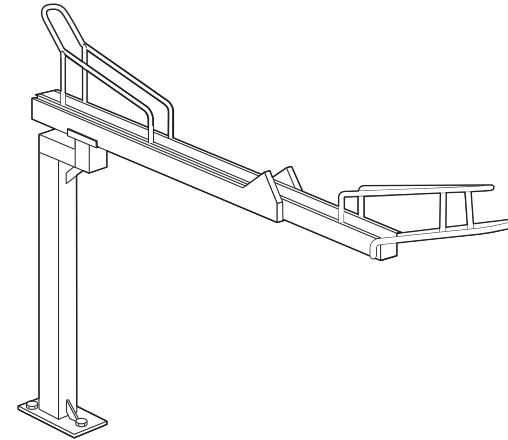


4. Make sure bolts are fastened completely

TC-SRGF (4)

Two Tier Rack Assembly Manual

TC - SRGF (Self-stand type)



! Remarks on enforcement

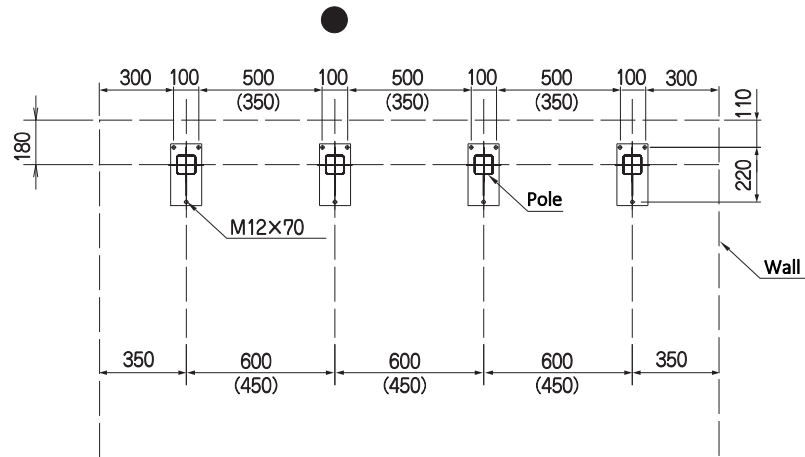
- *Be sure to install the product in a horizontal position.
- *Be sure to enforce accordingly to assembly manual.
- *Be sure to enforce anchors when base construction.
- *Do not install the product on rooftops or other locations where there is a risk of accidents such as the bicycle falling during strong winds.
- *Use gloves when assembly work for the safety.
- *Don't change and remodel at random.
- *Carry heavy objects with two or more people.
- *Don't install in the evacuation route.
- *Don't leave it during assembly.

! Handling precautions

- *Be sure to follow in the seal remarks attached on the product.
- *As not safety, don't remove the hand when movable rail operation.
- *Ensure sufficient space when lowering the movable rail and and lower it straight down. Shaking it from side to side may cause malfunction.
- *Don't store anything other than bicycles. (Not to be used in situations where a person is on the bicycle or putting objects in the basket.)
- *If get a hurt on body, repair it with paint etc to prevent its rust.
- *Store the children's bicycle on lower rack to prevent the risk.
- *Refer to the end of page for remarks on gas spring.

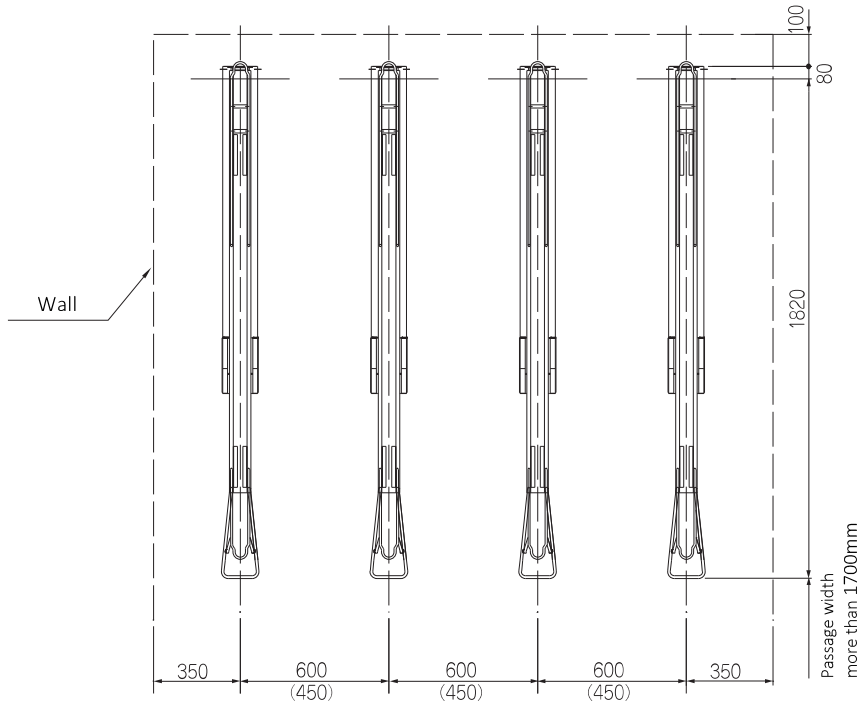
TC-SRGF (1)

Basic Dimensions



() shows the case of 450mm

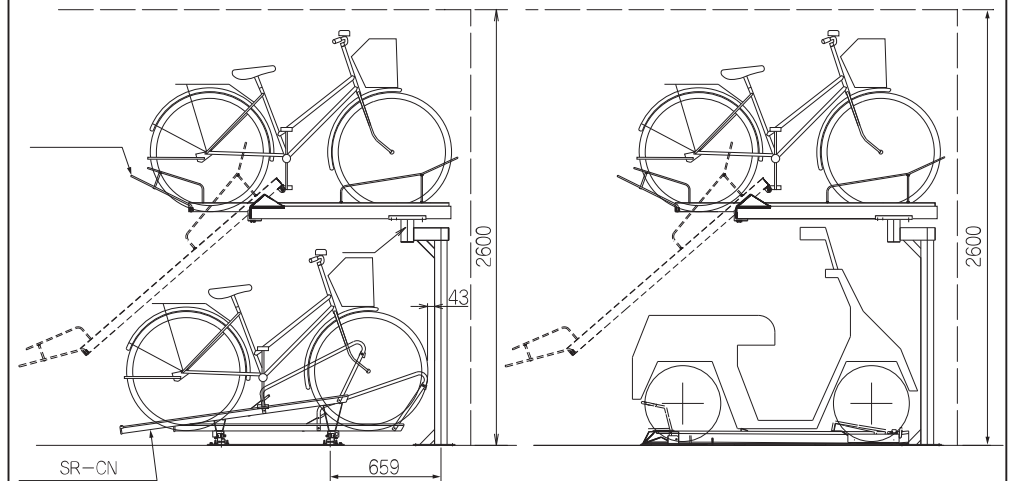
Above drawing shows Plan layout drawing.
Distance between racks 600mm (450) per set.



TC-SRGF (2)

Product Side View

*(Note) More than 2600mm is required if there is ceiling on installation site.



Installation case of lower slide rack(SR-CN)

Installation case of lower bike rack

Remarks on Gas spring

How to dispose

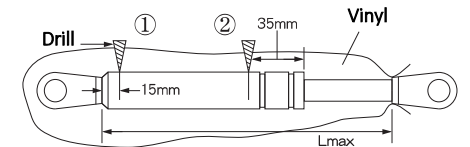
Follow in the below remarks when disposal.
This product is filled with nitrogen gas at high pressure.
If the product is handled without venting the gas,
an explosion may cause injury.

(Remarks)

- Don't squash
- Don't cut
- Don't drill a hole other than position in drawing
- Don't put it in the fire

Handling Precautions

- No lubrication is required on sliding portion.
Lubrication reduces sticker durability and cause oil leakage.
- Definitely avoid to apply impact.
It may cause of oil leak and malfunction.
- Definitely avoid for disassembly.
Enclosed nitrogen gas at high pressure is hazardous.
- Bending rigidity is insufficient.
It may cause the body to bend how it is installed.
- Dents on piston rod or cylinder will shorten sticker life and cause malfunctions.
- Be careful of the use in extremely cold and hot place.
Use in the range between -20° ~ -80°



Dispose after making a hole in above position and releasing a gas.

(Disposal Procedure)

- Cover the body with a plastic bag, and then make the ① holes with a 2-3 mm drill from the surface of plastic bag. Then make hole ② after releasing a gas and oil. Be sure to follow the procedure in ① and ②.
- Be careful oil and chips scatter if without using a plastic bag. (In this case, please work with glasses on.)

TC-SRGF (3)