

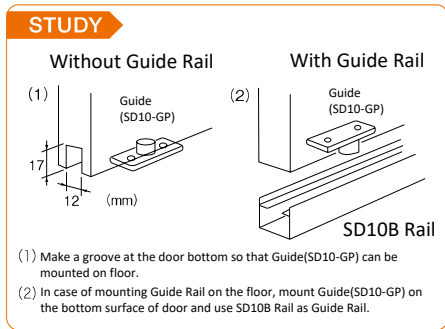
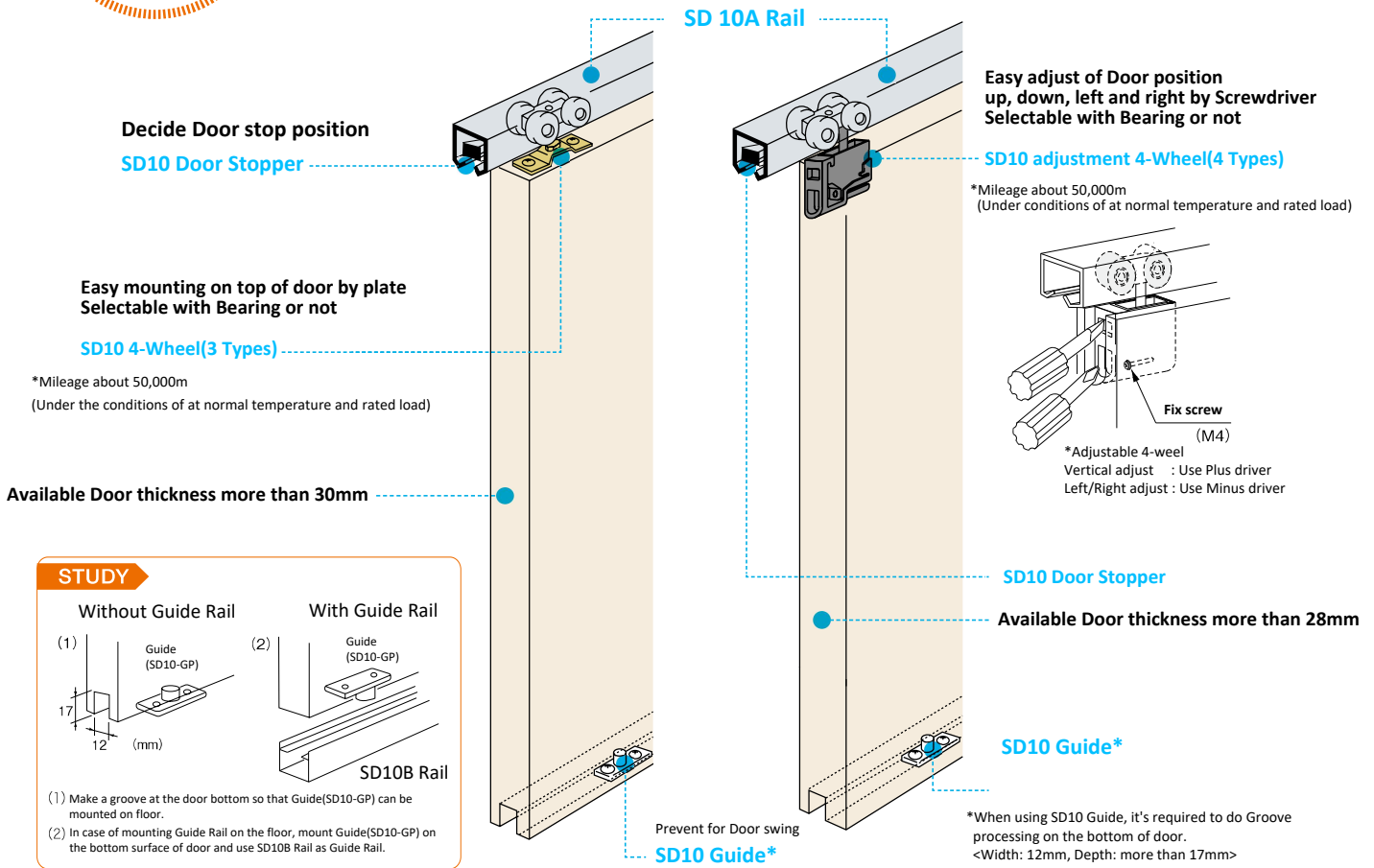
# SD10 Type



<b>Door Weight</b> Less than <b>30</b> kg Less than <b>50</b> kg <small>*When using 4-wheel with Bearing</small> Per one door with hanging two 4-wheels	<b>Horizontal Rail</b> 	<b>Rail Wall mounting</b> 	<b>Door Combinations</b>  <ul style="list-style-type: none"> <li>• One Door : Single sliding</li> <li>• Two Doors: Bi-parting on one Rail</li> <li>• Two Doors: Bi-parting on two Rails, etc.</li> </ul>	<ul style="list-style-type: none"> <li>• For Wooden door</li> <li>• For Public facility and General housing</li> <li>• Required Rail: Top Rail(Bottom Rail is optional)</li> <li>• Door Parts: Select required parts.</li> </ul>
---	----------------------------	-------------------------------	--	--



- 1 7 Type 4-Wheels are available
- 2 Sliding Hardware for Indoor doorway and Partition
- 3 Smooth running by adopting Resin wheel with resin bearing



One-Slide Image

## POINT

### How to select 4-wheel

Up to 30kg per one door			Up to 50kg per one door (With Bearing)			
Engraving Type Cover thin model	Engraving Type	Mounting type on top of Door	Engraving Type Cover thin model	Engraving Type	Mounting type on top of Door Plate thin type	Mounting type on top of Door
No. SD-10-4WT	No. SD10-4WTC	No. SD10-4WPC	No. SD10-4WRTC	No. SD10-4WRTC	No. SD10-4WRC	No. SD10-4WRPC
SD10 adjustable 4-wheel Cover thin type	SD10 adjustable 4-wheel	SD10 4-wheel with Plate	SD10 adjustable 4-wheel Cover thin type With Bearing	SD10 adjustable 4-wheel With Bearing	SD10 4-wheel with Bearing	SD10 4-wheel with Plate With Bearing
*Not available for Bi-parting	*Correspond to SD10-CST	*Correspond to SD10-CST/SD10-ST	*Not available for Bi-Parting	*Correspond to SD10-CST	*Correspond to SD10-CST/ SD10-ST	*Correspond to SD10-CST/SD10-ST

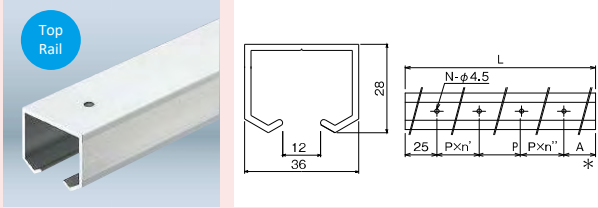
Please make sure to hit Door to vertical frame when used in the public places(Including School site) etc.

# SD10

## SD10 Parts <Select required Parts>

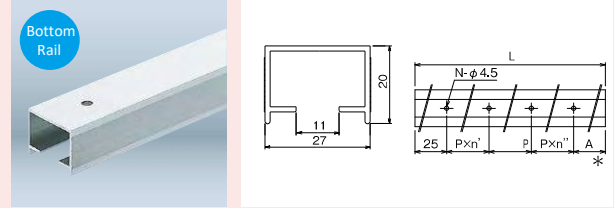
Rail   Wheel   Plate   Door Stopper   Guide   Other Parts

### Aluminum rail directly mounted to the ceiling



- SD10A**
- A6063S-T5 (Anodized aluminum) Silver/Bronze
  - Mount Screw: With dia 4x25 Truss tapping screw
  - \* In case of embedding Rail on Ceiling, embedded width 38mm or more is required.
  - \* Mount hole pitch is changed from April, 2018

### For Guide Roller tracks.

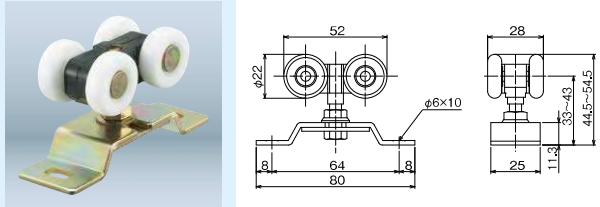


- SD10B**
- A6063S-T5 (Anodized aluminum) Silver/Bronze
  - Mount Screw: With dia 4x25 Truss tapping screw
  - \* In case of embedding Rail on Ceiling, a width 29mm or more is required.

Product No.		Size	Mount Hole Pitch				Hole Qty	
Silver	Bronze	L	P×n'	Center P	P×n"	A	N	
10A-R09S	-	910	287×1	287	287×1	24	4	
10A-R18S	10A-R18B	1820	295×3	295	295×2	25	7	
10A-R27S	10A-R27B	2730	298×4	296	298×4	25	10	
10A-R36S	10A-R36B	3640	299×6	301	299×5	25	13	

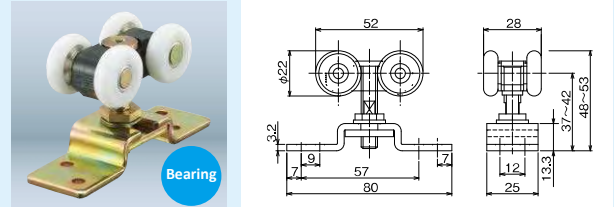
Product No.		Size	Mount Hole Pitch				Hole Qty	
Silver	Bronze	L	P×n'	Center P	P×n"	A	N	
10B-R09S	-	910	287×1	287	287×1	24	4	
10B-R18S	10B-R18B	1820	295×3	295	295×2	25	7	
10B-R27S	10B-R27B	2730	298×4	296	298×4	25	10	
10B-R36S	10B-R36B	3640	299×6	301	299×5	25	13	

### Easy mount on top of door < Weight: 30kg/door >



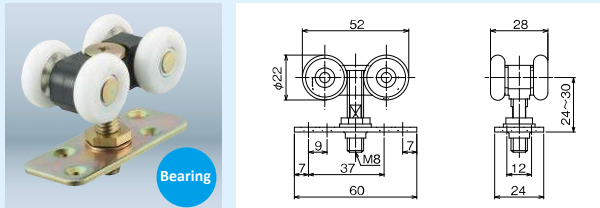
- 4-Wheel with Plate**  
**SD10-4WPC**
- |   |          |
|---|----------|
| ○ | SD10-CST |
| ○ | SD10-ST  |
- Wheel, Body :Polyacetal, 6Nylon
  - Plate :SPHC(Plating)
  - Bolt :M6 (Plating)
  - Wheel dia :φ22
  - Mount Screw :With 2 Screws (Dia 5x25 Truss Tapping Screw)

### Easy mount on top of door. With Bearing < Weight: 50kg/door >



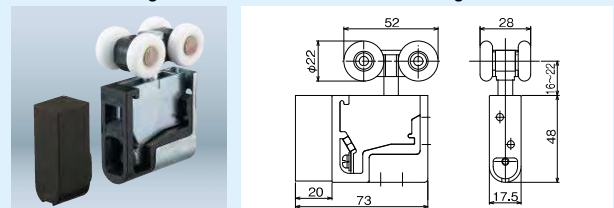
- 4-Wheel with Plate**  
**SD10-4WRPC**
- |   |          |
|---|----------|
| ○ | SD10-CST |
| ○ | SD10-ST  |
- Wheel, Body :Polyacetal, 6Nylon
  - Plate :SPCC(Plating)
  - Bolt :M8 (Plating)
  - Wheel dia :φ22(Bearing Type)
  - Mount Screw :With 4 Screws (Dia 4x25 Truss Tapping Screw)

### Easy mount on top of door with less gap < Weight: 30kg/door >



- 4-Wheel**  
**SD10-4WRC**
- |   |          |
|---|----------|
| ○ | SD10-CST |
| ○ | SD10-ST  |
- Wheel, Body :Polyacetal, 6Nylon
  - Plate :SPHC(Plating)
  - Bolt :M8 (Plating)
  - Wheel dia :φ22(Bearing Type)
  - Mount Screw :With 4 Screws (Dia 4x25 Flat Head Tapping Screw)

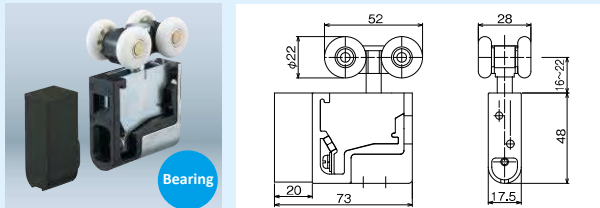
### Vertical and horizontal is adjustable by Screwdriver. < Weight: 30kg/door > In case of mounting 4-wheels at a distance from the door edge of each side.



- Adjustable 4-Wheels**  
**SD10-4WTC**
- |   |          |
|---|----------|
| ○ | SD10-CST |
|---|----------|
- Wheel, Body :Polyacetal, 6Nylon
  - Bracket :Zinc die casting (Plating), 6 Nylon
  - Wheel dia :φ22
  - Mount Screw :With 4 Screws (Dia 3.5x25 Pan Head Tapping Screw)

\*Hit the door against the vertical frame and stop when using SD10-CST.  
Or Use 2Pcs of SD15 Door Stoppers (For Front and Rear sides).  
\*SD10 Door Stopper is not available. Hit the door against the vertical frame and stop.  
Also Bi-Parting is not available.  
\*Door thickness 28mm or more is required. \*Adjustable left and right ±2mm.

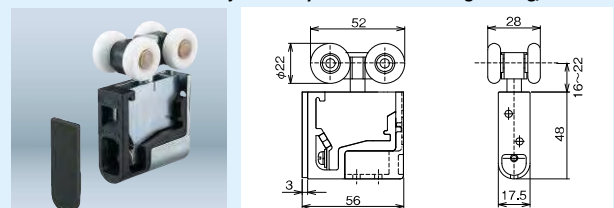
### Vertical and horizontal is adjustable by Screwdriver. < Weight: 50kg/door > In case of mounting 4-wheels at a distance from the door edge of each side.



- Adjustable 4-Wheels**  
**SD10-4WRTC**
- |   |          |
|---|----------|
| ○ | SD10-CST |
|---|----------|
- Wheel, Body :Polyacetal, 6Nylon
  - Bracket :Zinc die casting (Plating), 6 Nylon
  - dia :φ22(Bearing Type)
  - Mount Screw :With 4 Screws (Dia 3.5x25 Pan Head Tapping Screw)

\*Hit the door against the vertical frame and stop when using SD10-CST.  
Or Use 2Pcs of SD15 Door Stoppers (For Front and Rear sides).  
\*SD10 Door Stopper is not available. Hit the door against the vertical frame and stop.  
Also Bi-Parting is not available.  
\*Door thickness 28mm or more is required. \*Adjustable left and right ±2mm.

### Vertical and horizontal is adjustable by Screwdriver. < Weight: 30kg/door >



- Adjustable 4-Wheels**  
**SD10-4WT**
- Wheel, Body :Polyacetal, 6Nylon
  - Bracket :Zinc die casting (Plating), 6 Nylon
  - Wheel dia :φ22
  - Mount Screw :With 4 Screws (Dia 3.5x25 Pan Head Tapping Screw)

\*Door Stoppers for SD10-ST and SD10-CST are not available.  
Hit the door against the vertical frame and stop. Also Bi-Parting is not available.  
\*Door thickness 28mm or more is required. \*Adjustable left and right ±2mm.

