

CEILING HATCH (Slim frame type)

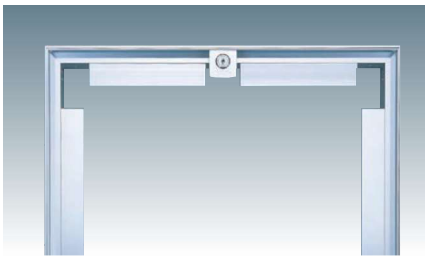


CMJ(K) aluminum silver/CMJW(K) white

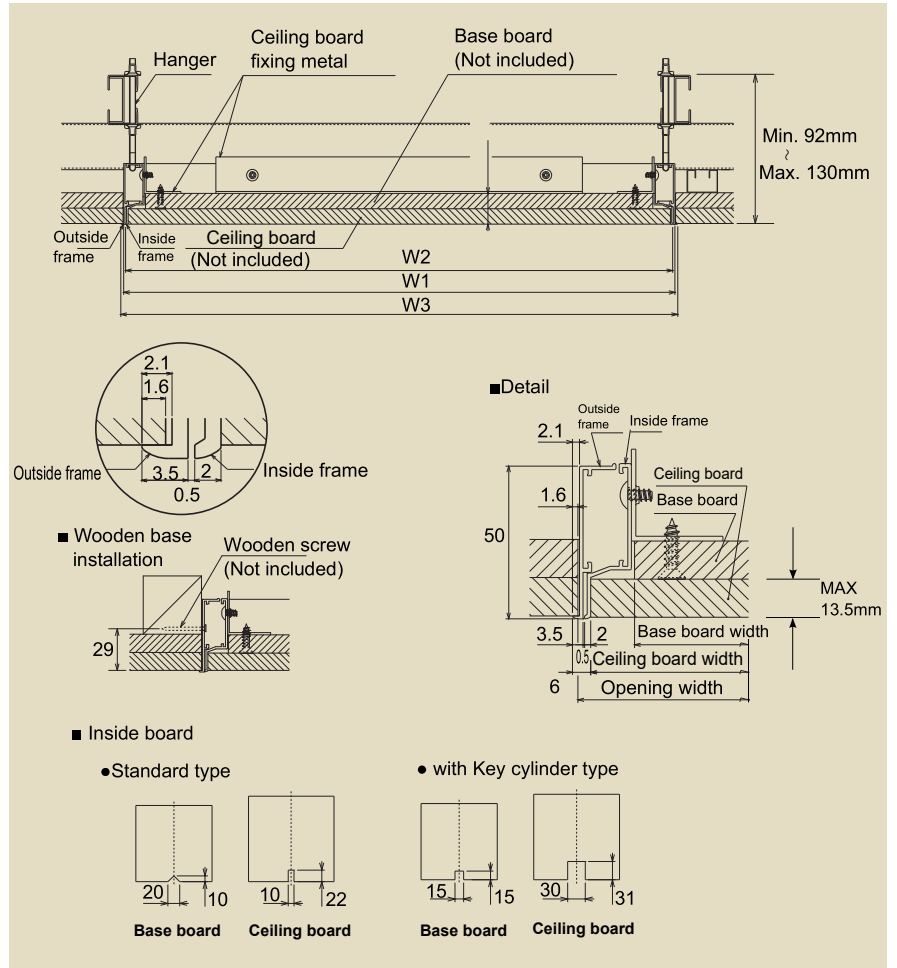
(K) = with key cylinder

Feature

- Slim frame (3.5 + 2.0mm).
- Narrow gap between frames (0.5mm)



With key cylinder type (CMJK)



Name		Key	Standard size (mm)					Cutting size		Included parts
Silver	White		W1	W2	W3	Opening	Base	Ceiling board		
CMJ30	CMJW30	○	300	296.2	304.2	301	260	292	4	
CMJ30K	CMJW30K	○								
CMJ45	CMJW45	○	451	447.2	455.2	452	411	443	4	
CMJ45K	CMJW45K	○								
CMJ60	CMJW60	○	603	599.2	607.2	604	563	595	4	
CMJ60K	CMJW60K	○								

Parts	Material	Finish
Frames	A6063S-T5	Silver anodized *1
Slotted piece for locking	ZDC2	Electric galvanized
Ceiling board fixing metal	A6063S-T5	Silver anodized
Lock cover	ABS Resin	Evaporation silver plating *2
Hanger	SECC	
Cylinder cover	A5052P-H34	Silver anodized *3
Lock body	ZDC	Chromed plating

- Can install wooden base. (Not included wooden screws)
- Available thickness of Ceiling and Base board is 9~25mm
- Key cylinder type is made to order.
- Available special size order.

- Key cylinder type doesn't have slotted piece for locking.
- *1 CMJW (White) = Combined coating of anodic oxide and organic films
- *2 CMJW (White) = White
- *3 CMJW (White) = Combined coating of anodic oxide and organic films

