

Frame Type	General Type	Other Way of outer frame mounting	Slide opening
		With Key Type	Customize dimension 300×300~450×600mm


WMS [Stainless with Key]

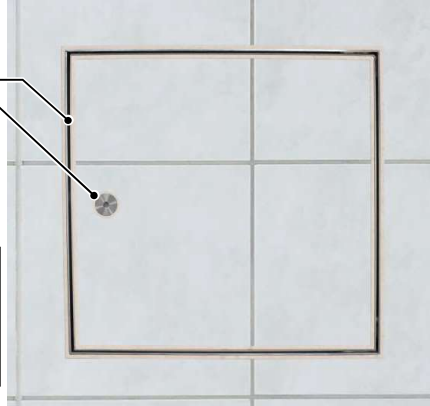
Stainless frame type suited for tile finish

With Lock Key / Hexagon socket head cap
Adapt of High security "Dimple Key" suited for plumbing inspection in the place where station premise and entrance in condominium etc. Prevent for forget to lock by key because it comes out when only locking.

Simple design
Only Frame and Key cap seen from outside.

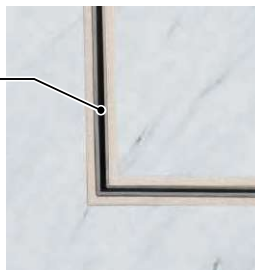
Axis type
"Axial rotation mechanism" that doesn't use the hinge.





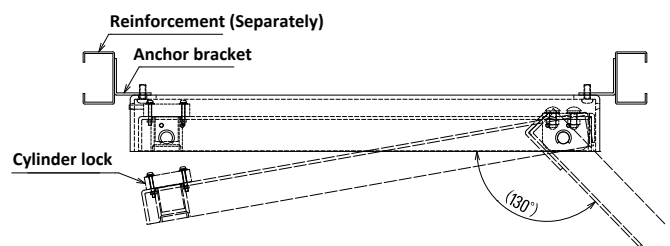
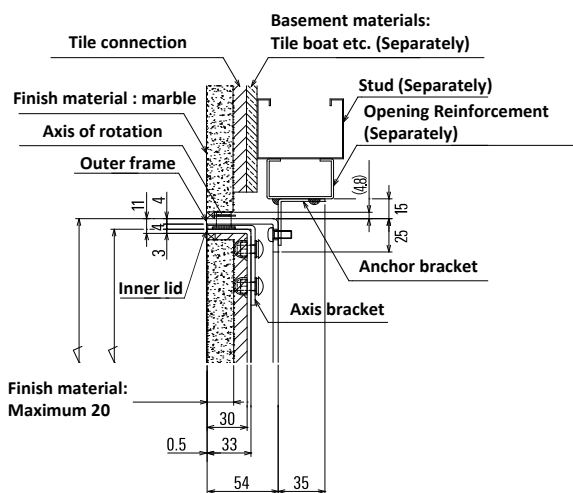
Left or Right opening
Corresponds to the enforcement both of Left and Right opening.

Frame type
Slim frame type whose total width is 11mm.



Tiling
Corresponds to up to 20kg tile finishing.

Fitted diagram



Parts specification

Parts	Materials	Finish
Inner lid / Outer frame	SUS304	No.4 (Frame part)
Axis bracket	SUS304 etc.	-
Open and Close guide bracket	SUS304	-
Cylinder lock	Stainless etc.	-
Lock cover	SUS304	-
Lock cap	SUS304	-
Anchor bracket	SUS304	-

- Inner lid finish materials cover range : Mortal+Finishing material : Total 30mm(Finishing material is up to 20mm)
- Inner lid finish materials cover weight : Up to 20kg ● Not corresponds to make other Key
- Sometimes having a rust from adhesive material depends on the environment and terms of use.

Model	Size name	Outer frame outer dimension (mm)	Lid dimension (mm)	Name	Unit	Qty per carton	Accessories (Pieces)		Remark
							Anchor bracket		
WMS	30	300×300	284×283.5	WMS30	1	1	8		<ul style="list-style-type: none"> • Made of stainless steel • Opening wide type • With Lock key • Outer frame / Inner frame type
	45	450×450	434×433.5	WMS45			8		