

Self closing Slope Hydraulic control

HCS-200 Door weight: 120–200kgs. Door width: 1000–2000mm (Maximum opening width: 900mm–1850mm)

- Simple installation without professional techniques.
- Using hydraulic control and a rack assembled into the sloped rail allow easy handing (PAT)
- Durability mechanism
- Rear side brake on the door end side reduces the impact on the door when the door is opened strongly, preventing damage to hardware and stopper.
- Using balance type wheel which is suitable for heavy door.
- Openable door with same opening power between -10°C and 40°C by temperature device of hydraulic control.

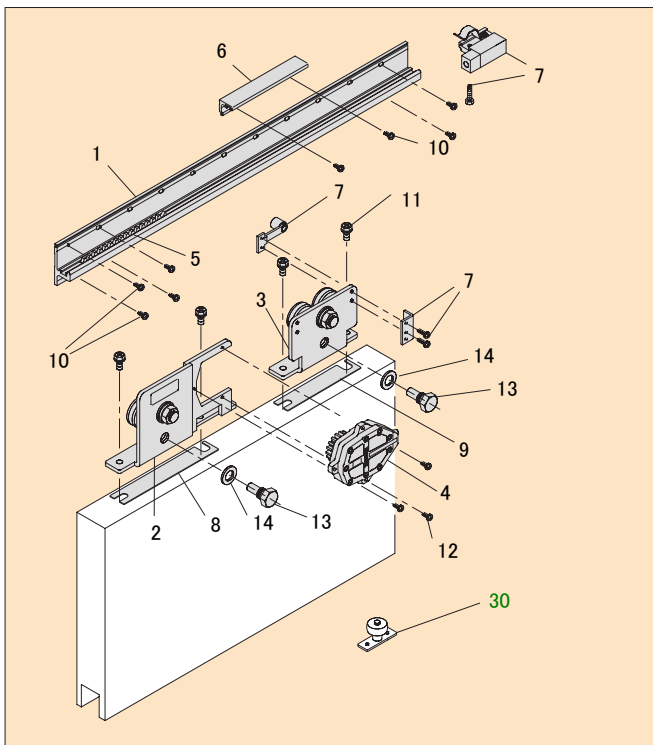
⚠ Don't operate door at lower than half height of door.
Don't use for door pocket installation.

Door opening power

Door weight	Opening power (N)	Opening power (kgf)
120	18.13	1.85
200	37.73	3.85

Product are available in the right hand as HCS-200R, left hand as HCS-200L.

Parts detail



Basic parts

Name	Material	QTY
1 Aluminum rail L=3700mm	Aluminum	1
2 Front hanger roller	Steel (chromed)/resin	1
3 Rear hanger roller	Steel (chromed)/resin	1
4 Hydraulic control device	ADC12, etc	1
5 Brake rack	Resin, urethane	2
6 Rear side brake	Aluminum, resin, urethane	1
Stopper	Aluminum, rubber	1
Stopper roller	Steel (chromed), resin	1
7 Stopper metal	Steel (chromed)	1
M5 x 20 pan head screw	Steel (chromed)	2
M6 x 20 hexagon bolt	Steel (chromed)	1
8 Height control plate (F)	Steel (processed steel)	2
9 Height control plate (R)	Steel (processed steel)	10
10 M5 x 16 pan head screw	Steel (chromed)	28
11 M8 x 25 hexagon bolt	Steel (chromed)	4
12 M5 x 16 pan head screw	Steel (chromed)	3
13 Latch bolt for HCS-200	Steel (chromed)	2
14 16mm washer	Steel (chromed)	2

Option

HCS-GRO-16	Guide roller	Stainless, urethane	1
30 HCS-GRO-25			
HCS-GRO-30			

⚠ Use TALL type guide roller (made to order) in case opening width is more than 1350mm.

Assembly view

