

SLIDEX SLOPE TYPE HCS-80NB/HCS-8015NB

HCS-80NB Door weight: 15 to 80kg. Door width: 900 to 1,300mm (Maximum opening width: 750 to 1,150mm)

HCS-8015NB Door weight: 15 to 80kg. Door width: 1,300 to 1,500mm (Maximum opening width: 1,150 to 1,350mm)

* When using a stopper for a door pocket for sliding doors, keep the sliding margin between 100 and 150mm so that the brake on the door end can be installed or removed at the opening.

Simple installation without professional techniques

● Using the endless-type hydraulic control and a rack assembled into the rail allows for easy handling. (PAT)

Ideal functions

● The brake on the door end side reduces impact even when the door is opened forcibly, preventing damage to hardware and stoppers. (PAT)

New design for smooth opening and closing

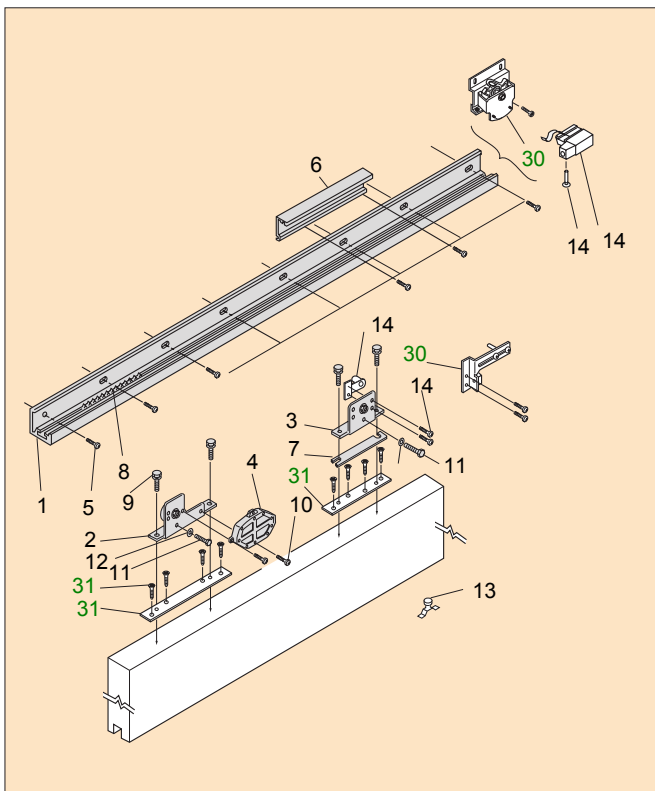
● The built-in temperature adjusting device (PAT) of the hydraulic control provides constant opening power and door-closing speeds regardless of opening dimensions ranging from minus 10 to 40degrees, thus allowing for firm control of the door even under slightly opening conditions.

Door opening power categorized by door weight

Door weight (kg)	Door opening power (N)	Door opening power (kg)
15	2.45	0.25
20	3.04	0.31
30	4.51	0.46
40	6.08	0.62
50	8.43	0.86
60	8.53	0.87
70	11.07	1.13
80	12.15	1.24

● Products are available in the right hand sliding HCS-80NBR and HCS-8015NBR and the left hand sliding HCS-80NBL and HCS-8015NBL.
● Available in other widths.

Part details



Basic parts name		Material	Number	
Basic parts	1	Aluminum rail L=2200mm [2800]	Aluminum materials	1
	2	Front hanger roller	Steel (Chromed, resin)	1
	3	Rear hanger roller	Steel (Chromed, resin)	1
	4	Hydraulic control	ADC12 and others	1
	5	Braking rack	Resin (with G), Urethane	1
	6	Rear side brake	Aluminum, Resin, Urethane	1
	7	Height control plate	Steel (Processed steel plate)	4[6]
	8	M5 x 16 pan head screw	Steel (Chromed)	10[12]
	9	M8 x 25 hexagon nut	Steel (Chromed)	4
	10	M5 x 16 pan head screw	Steel (Chromed)	2
	11	Latch hexagon special bolt	Steel (Chromed)	2
	12	Nominal 10 countersunk spring washer	Stainless	2
	13	Guide roller	Stainless, Urethane	1
14	Stopper	Aluminum, Synthetic rubber	1	
	Stopper roller	Steel (Chromed, resin)	1	
	M6 x 20 hexagon bolt	Steel (Chromed)	1	
	M5 x 12 pan head screw	Steel (Chromed)	2	

Optional parts		Material	Number
30	Delayed timer body	Steel (Chromed resin, others)	1
	Time adjusting plate	Steel (Chromed)	1
31	Wooden door plate	Steel (Chromed)	2
	Nominal dia. 5x30 countersunk tapping	Steel (Chromed)	8

Dimensions and numbers enclosed in [] are specified for the HCS-8015NB. Dimension of other parts are the same as for the HCS-80NB.

Numbers enclosed in () are for spare parts.

Stopper (#14) and delayed timer (#30) can not be used together.

Assembly view

This view is for a right hand sliding door. (Viewed from the inspection cover side.)

* The drawing for left hand sliding products is symmetrically opposite.

