

Self closing Slope Hydraulic control

HCS-XW40A/HCS-XW40B Door weight: 15-40kg/door, Door width: 750-1,300mm

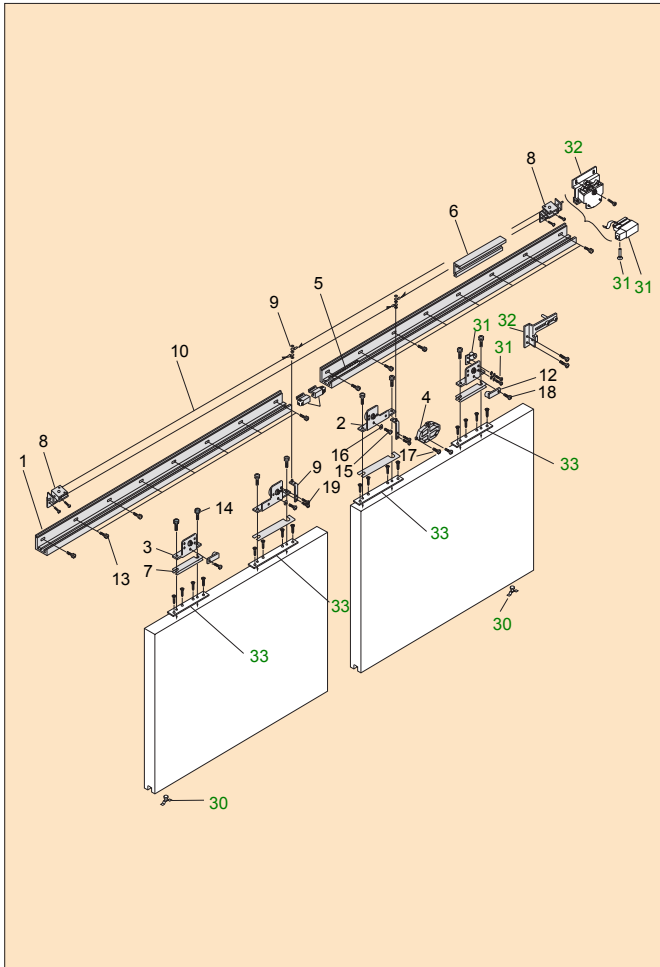
HCS-XW40A [Maximum opening width: 1200-1700mm(600-850mm/side)]

HCS-XW40B [Maximum opening width: 1700-2400mm(850-1200mm/side)]

- 2 doors can be opened at same time by operating 1 door.
- The system controls both doors by 1 hydraulic control and 1 rear side brake.
- Slope angle of rail is 4mm upper every 300mm.

⚠ Avoid strong impact cause of damage with any parts.
Operate door in upper position than half of door height.
Not available door pocket use.

Part details



Basic parts

Name	Material	Number
1 Aluminum rail (A 1600mm, B 2200mm)	Aluminum	2
2 Front hanger roller	Steel (Chromed, Resin)	2
3 Rear hanger roller	Steel (Chromed, Resin)	2
4 Hydraulic control	ADC12 and others	1
5 Braking rack	Resin with G, Urethane	1
6 Rear side brake	Aluminum, Resin, Urethane	1
7 Height control plate	Processed steel	A(6), B(10)
8 Inter locking device	Steel (Chromed, Resin)	2
9 L type bracket	Steel (Chromed)	2
M5 nut	Steel (Chromed)	2
5mm washer	Steel (Chromed)	4
5mm spring washer	Steel (Chromed)	2
10 Linking wire (A 2520mm, B 3240mm)	Stainless, Nylon	2
11 Center stopper	Aluminum, Rubber	2
M6 x 20 hexagon bolt	Steel (Chromed)	2
12 Latch hexagon special bolt	Steel (Chromed), Resin	2
13 M5 x 16 pan head screw	Steel (Chromed)	A(18), B(22)
14 M8 x 25 hexagon screw	Steel (Chromed)	8
15 Latch hexagon special bolt	Steel (Chromed)	2
16 Nominal 10 countersunk washer	Stainless	4
17 M5 x 16 pan head screw	Steel (Chromed)	2
18 M10 x 12 hexagon bolt	Steel (Chromed)	2
19 M5 x 10 pan head screw	Steel (Chromed)	4

Optional parts

30 HCS-GRO-16 HCS-GRO-25 HCS-GRO-30	Guide roller	Stainless, Urethane	2
31 HCS-STR HCS-STL	Door stopper	Aluminum, Rubber	1
	Stopper roller	Steel (Chromed), Resin	1
	M6 x 20 hexagon bolt	Steel (Chromed)	1
	M5 x 12 pan head screw	Steel (Chromed)	2
32 HCS-DT80NR HCS-DT80NL	Delayed timer body	Steel (Chromed), Resin etc.	1
	Time adjusting plate	Steel (Chromed)	1
33 HCS-MDP	Wooden door plate (L)	Steel (Chromed)	2
	Wooden door plate (S)	Steel (Chromed)	2
	5x30 flat tapping screw	Steel (Chromed)	16

⚠ HCS-STR (31) & HCS-DT80N (32) are not used together.
Guide roller (30) & Wooden door plate (33) are needed 2 sets.
Free stopper HCS-FSA is not available.

Assembly view

