

ALUMINUM FRAME FLOOR HATCH <Height 40 model>

4HA2 (no cylinder) / K4HA2 (with cylinder) /
4HA2L (handle lock type)

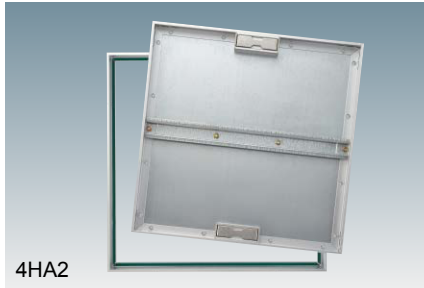
Loading capacity

P-tile installation 3.5KN/m2 for interior pedestrian use,
Mortar installation 5KN/m2 for interior pedestrian use

Aluminum frame, Steel bottom board, Reversible hatch

Available with
key cylinder

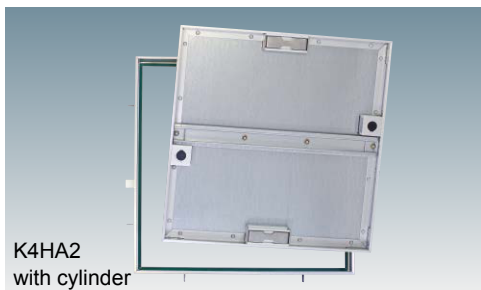
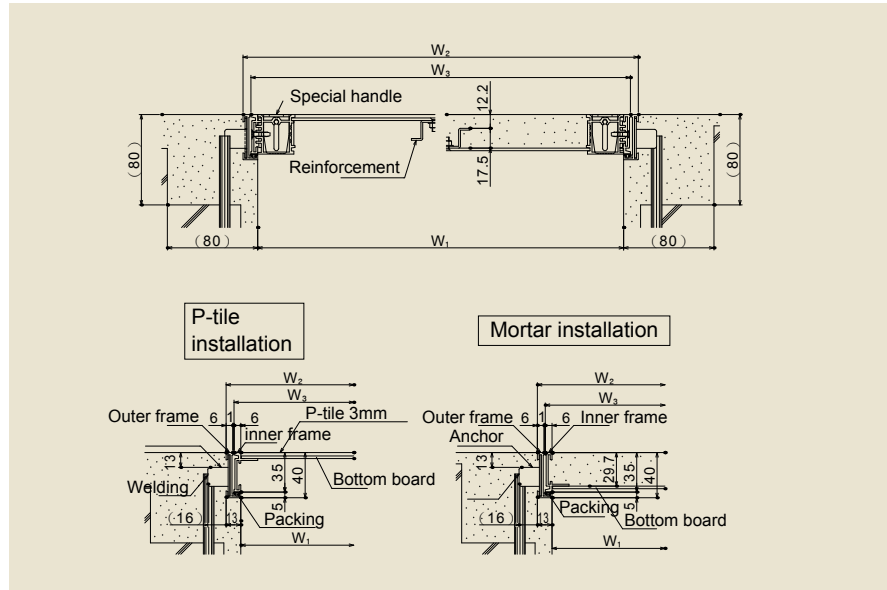
Feature: Switching handle position, hatch installation is changeable between P-tile and Mortar.
Anchor is easy to fix with outer frame by pliers.
Available maximum 3mm for P-tile & 12mm for Mortar finish.



4HA2

⚠ Caution

In case P-tile style use for place received strong impact like around stairs or passage for heavy cargo. It is better to use mortar style floor hatch and provide mortar under the P-tile for replacement. P-tile style alone doesn't have enough durability for impact.



K4HA2
with cylinder



Cylinder cap for
dust guard



4HA2L
handle lock type



Handle is locked
by hexagon screw

■ Size / Option parts

Item code			Standard size (mm)				Option parts				
No cylinder	with key cylinder	Handle lock	W1	W2	W3	Reinforce ment	Common parts		with cylinder		Handle lock
							Anchor	Frame spacer	Key		Hexagon wrench
4HA220	-	4HA220L	174	200	186		4	4			1
4HA230	K4HA230	4HA230L	274	300	286		4	4	2	2	1
4HA245	K4HA245	4HA245L	424	450	436	1	8	8	2	4	1
4HA260	K4HA260	4HA260L	574	600	586	1	8	8	2	2	1

- Initial setting is for mortar. Need to switch handle and cylinder unit in case of P-tile.
- Yellow colored items are made to order.

■ Parts detail

Parts	Material	Finish	Note
Inner/outer frame	A6063S-T5	Anodized coating composite film	
Bottom board	SGHC-Z27		t2.3
Handle case	A6063S-T5	Anodized coating composite film	
Handle	SUS-304		
Reinforcement	SGHC-Z27		
Packing	Soft PVC		
Anchor	SGHC-Z18		