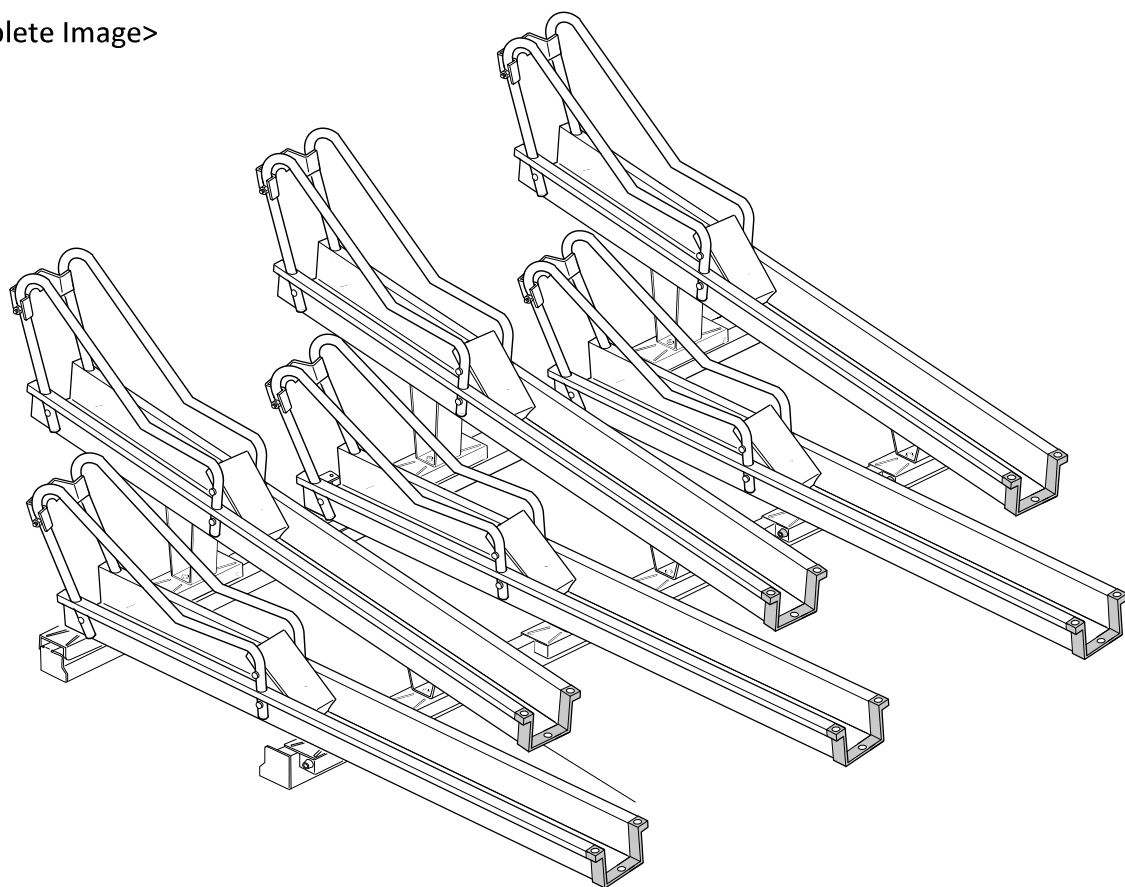


Slide Rack Assembly Manual

SR-CN Type

- Thank you for purchasing our bicycle rack.
- Read this manual for correct enforcement.

<Complete Image>



Daiken Co., Ltd

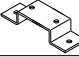
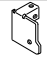

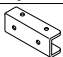

Enforcement Remarks

1. Slide Bracket mounting position changes according to the combinations of Two Tier Rack + Slide Rack or only Slide Rack
2. Make sure to enforce and assembly product based on this manual.
3. Make sure to install product on solid basement.
4. Make sure to install product horizontally.
5. Don't install in rooftop and cliff top where strong wind blows and basement is not stable.
6. As Slide Rack fixed by anchor, concrete basis construction is required. Avoid hitting anchor on places other than concrete(Asphalt)
7. Hit Anchor on fully dried state concrete.
8. To prevent anchor loosen, eliminate concrete powder between concrete and product or in anchor hole.
9. Make sure to follow in the anchor prepared hole diameter.
10. Don't remodel to prevent trouble.
11. Use protection tools like grove for assemble work safety.
12. After assembly completion, make sure to confirm screw loosen on every parts or rack movement smoothly.

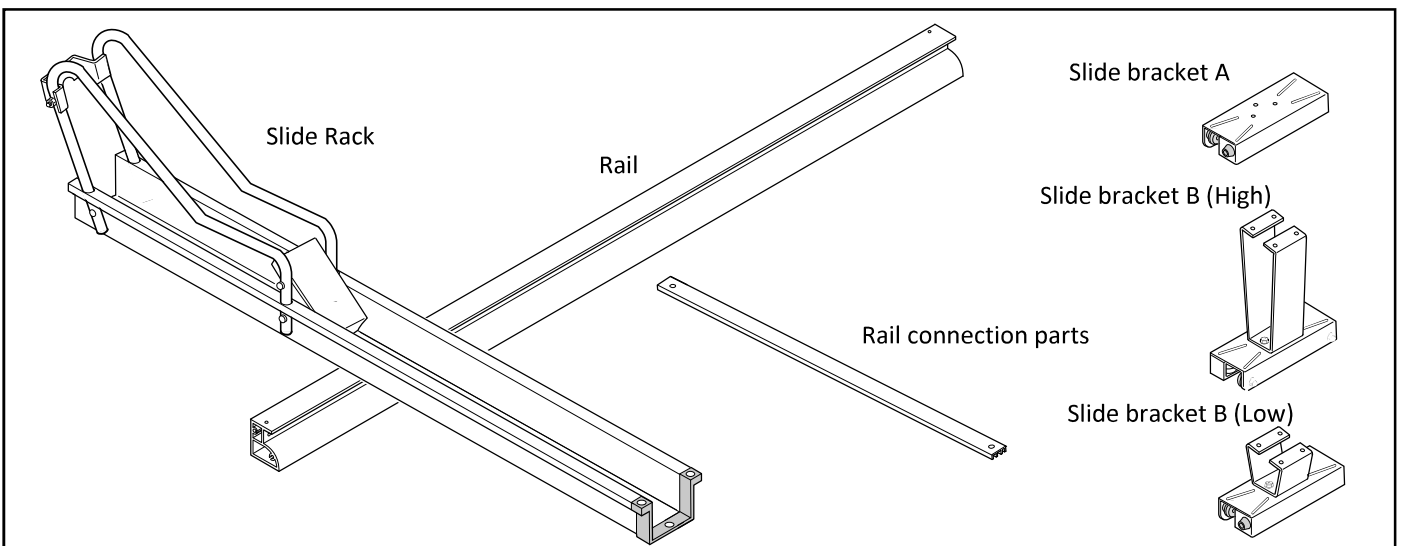
[Packing List]

Packing No.	Product Name	Material Name	6N	10N	R5N	R6N	R7N	R8N
①	Rail	Rail	2	2	2	2	2	2
		Rail connection parts	3	4	2	3	3	3
		Rail spacer bag	1	1	1	1	1	1
		Slide stopper bag	1	1				
		Rail connection bracket bag			1	1	1	1
		Rail screw bagage	1	1	1	1	1	1
②	High/Low Unit Rack	Rack	2	2	2	2	2	2
		Slide Bracket A	2	2	2	2	2	2
		Slide Barcket B(High)	1	1	1	1	1	1
		Slide Bracket B (Low)	1	1	1	1	1	1
		Rack screw bag A	1	1	1	1	1	1
		Rack enforcement board bag	1	1	1	1	1	1
		User's manual bag	1	1	1	1	1	1
③	Low Unit Rack	Rack			1		1	
		Slide bracket A			2		2	
		Rack screw bagage B			1		1	
		Rack enforcement board bag			1		1	
		User's manual bag			1		1	

[Accessory Parts]

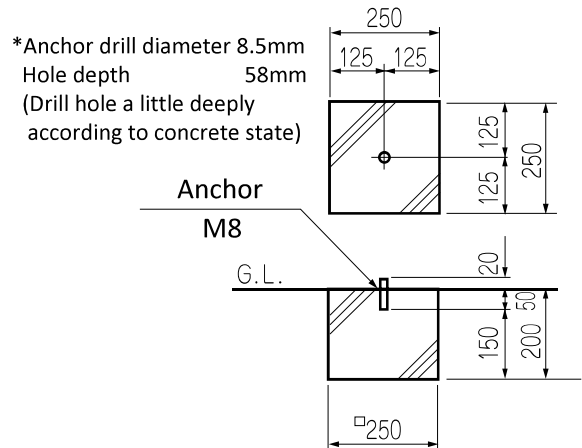
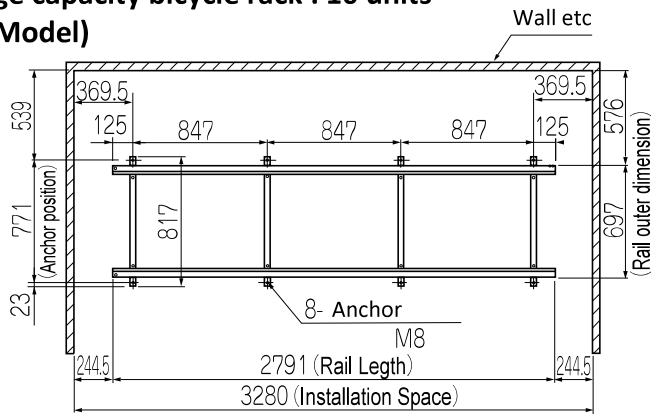
Bag Name	Name	Size	6N	10N	R5N	R6N	R7N	R8N
Rail spacer bag	Rail spacer		6	8	4	6	6	6
Slide stopper bag	Slide stopper A		2	2				
	Slide stopper B		2	2				
Rail connection bracket bag	Rail connection bracket				2	2	2	2
User's manual	User's manual	A 4	6	10	5	6	7	8
Rack enforcement board bag	Rack enforcement board		3	5	3	3	4	4
Rail screw bag	Truss small screw (Type 2)	φ 5 × 10	12	16	8	12	12	12
	Hex bolt	M6 × 25	12	16	8	12	12	12
	Hex nut	M6	12	16	8	12	12	12
	Cross hex bolt	M6 × 10	8	8	8	8	8	8
	Pan head small screw (Type 2)	φ 5 × 20	4	4				
	Curved spring pin	φ 4.5 × 20			4	4	4	4
Rack screw bag	Anchor	M8 × 70	6	8	4	6	6	6
	Cross hex bolt	M6 × 12	36	60	28	36	40	48
Rack screw bag	Truss tapping	φ 5 × 10	3 (1X3)	5 (1X5)	3 (1X3)	3 (1X3)	4 (1X4)	4 (1X4)

[Parts Shape]



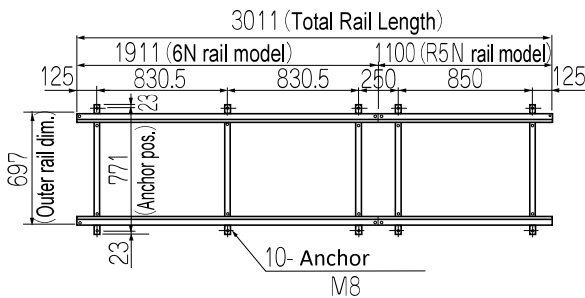
Rail fitting diagram

**Storage capacity bicycle rack : 10 units
(10N Model)**

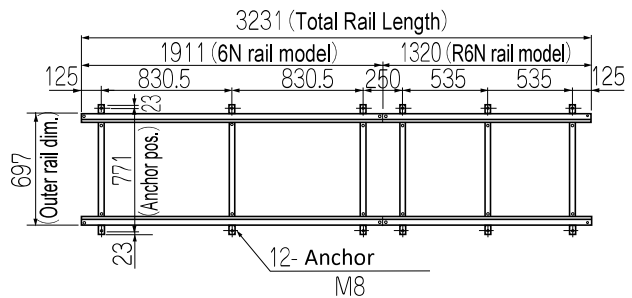


***Above diagram shows slide rack installation only.
Refer to the above one from wall distance etc.**

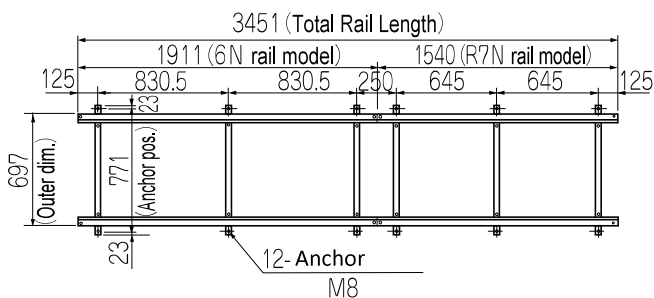
**Storage capacity bicycle rack : 11 units
(6N Model + R5N Model)**



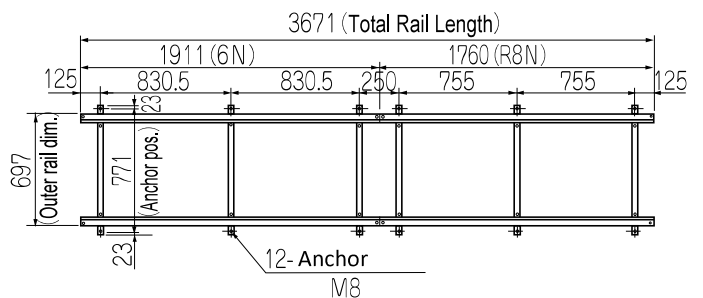
**Storage capacity bicycle rack : 12 units
(6N Model + R6N Model)**



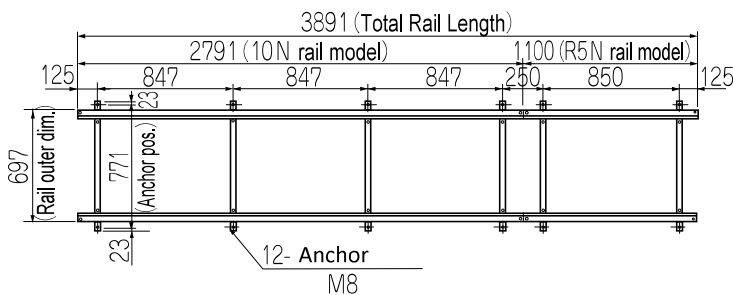
**Storage capacity bicycle rack : 13 units
(6N Model + R7N Model)**



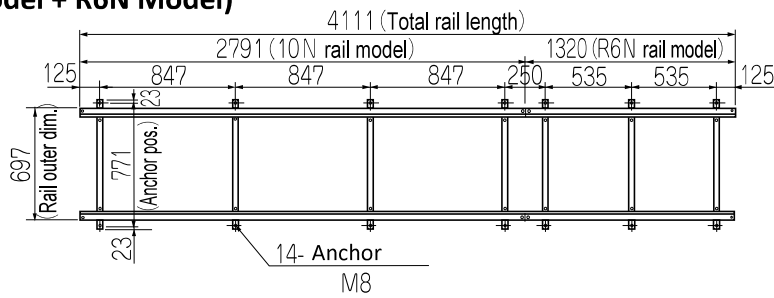
**Storage capacity bicycle rack : 14 units
(6N Model + R8N Model)**



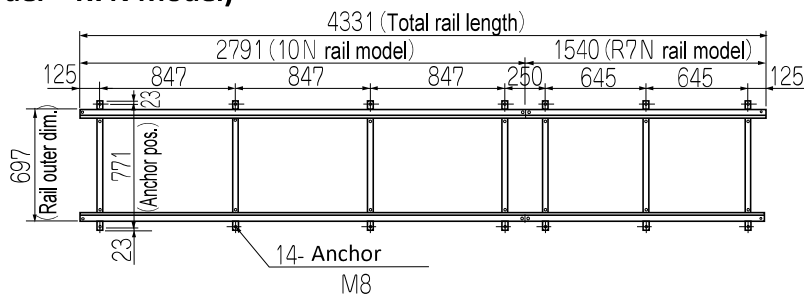
**Storage capacity bicycle rack : 15 units
(10N Model + R5N Model)**



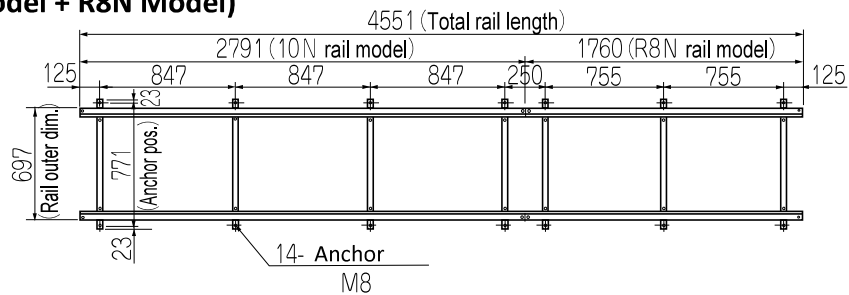
**Storage capacity bicycle rack : 16 units
(10N Model + R6N Model)**



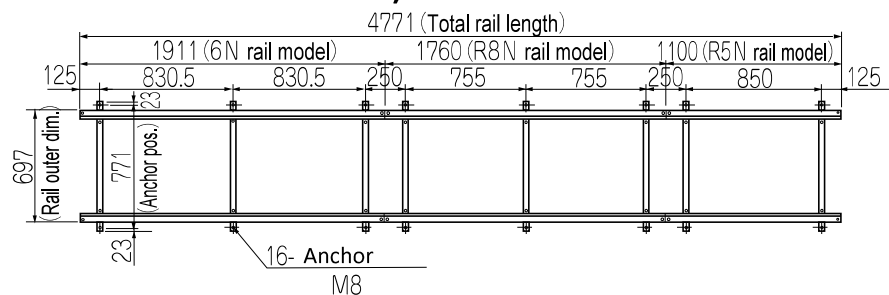
**Storage capacity bicycle rack : 17 units
(10N Model + R7N Model)**



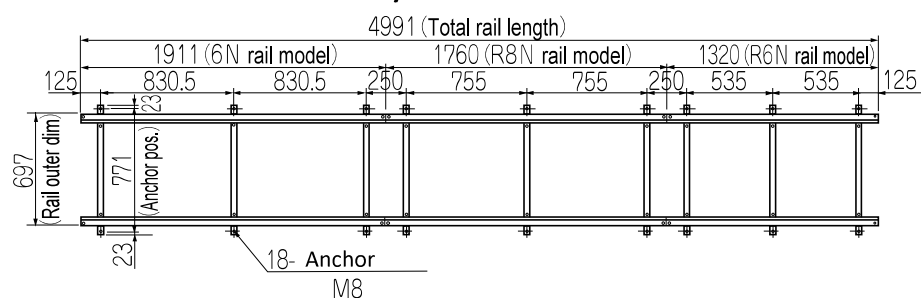
**Storage capacity bicycle rack : 18 units
(10N Model + R8N Model)**



**Storage capacity bicycle rack : 19 units
(6N Model + R8N Model + R5N Model)**



**Storage capacity bicycle rack : 20 units
(6N Model + R8N Model + R6N Model)**



Rail Model Combinations

Model Units	6N Model	10N Model	R5N Model	R6N Model	R7N Model	R8N Model	Total Rail Length (mm)	Installation Space (mm)
6	1						1911	2400
7		(1)					2131	2620
8		(1)					2351	2840
9		(1)					2571	3060
10		1					2791	3280
11	1		1				3011	3500
12	1			1			3231	3720
13	1				1		3451	3940
14	1					1	3671	4160
15		1	1				3891	4380
16		1		1			4111	4600
17		1			1		4331	4820
18		1				1	4551	5040
19	1		1			1	4771	5260
20	1			1		1	4991	5480

***In case of Bicycle Rack 7~9 units, Cut the rail from No. SR-C10N(10units) Standard Type Rail.**

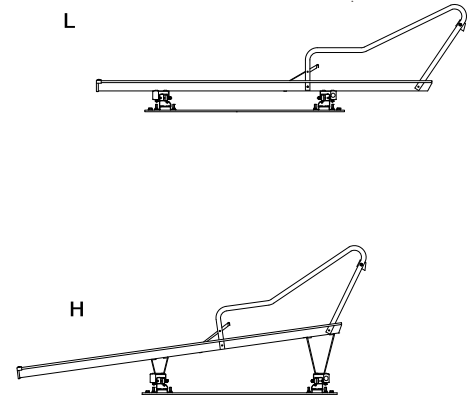
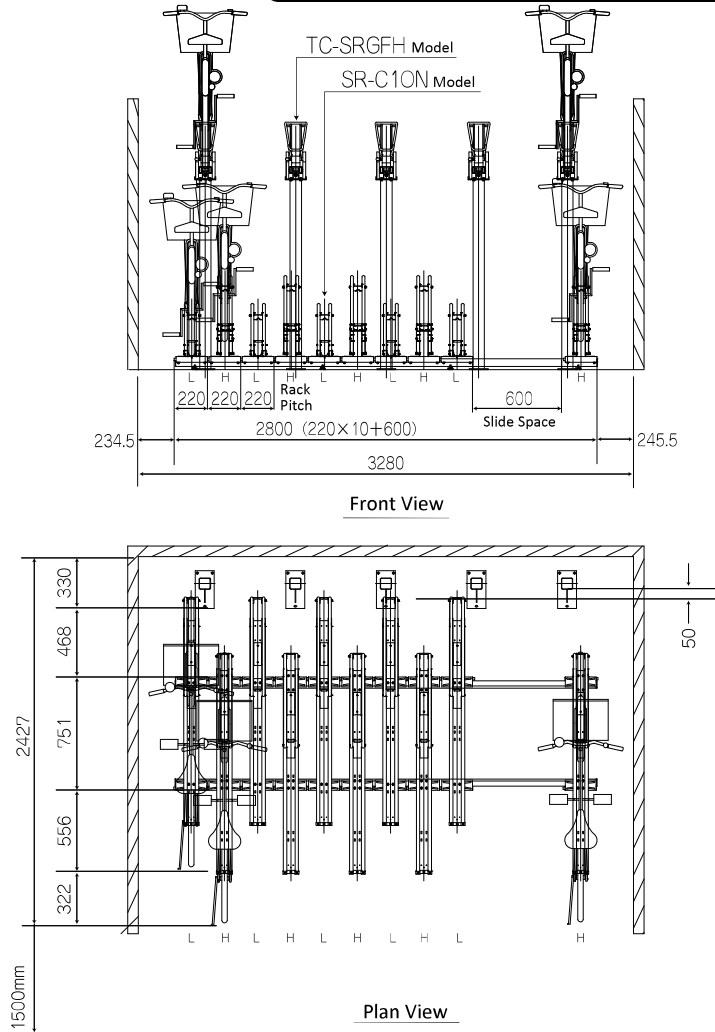
***If installations with 5 storage units or less, installation space is smaller in 220mm every less one rack. Also cut 6N rail model in 220mm.**

***Install each 20 units with a rail spacing of more than 50 mm.**

Dimensional drawing

Storage capacity: 10 units

(Two-tier rack + Slide rack)



Side View

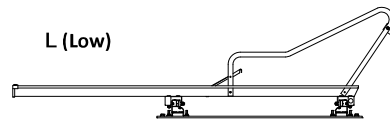
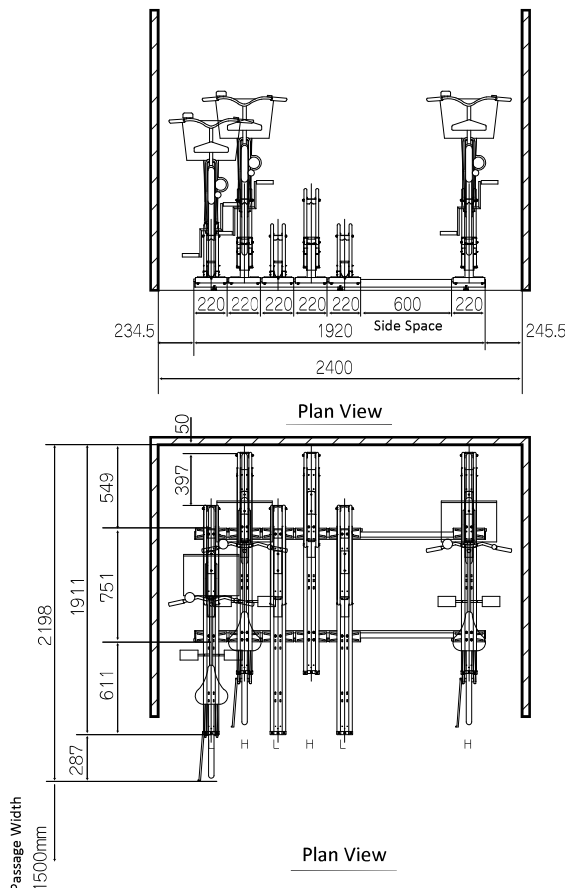
Remarks

Construction assembly in accordance with the assembly for low unit (Page.9 ④) and high unit (Page.10 ⑤). If construction assembly is wrong, there is a case bicycle doesn't fit in rack by the interference between upper rack and bicycle.

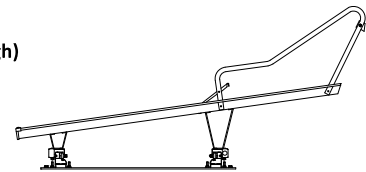
Dimensional drawing

Storage capacity: 6 units

Only Slide Rack



H' (High)

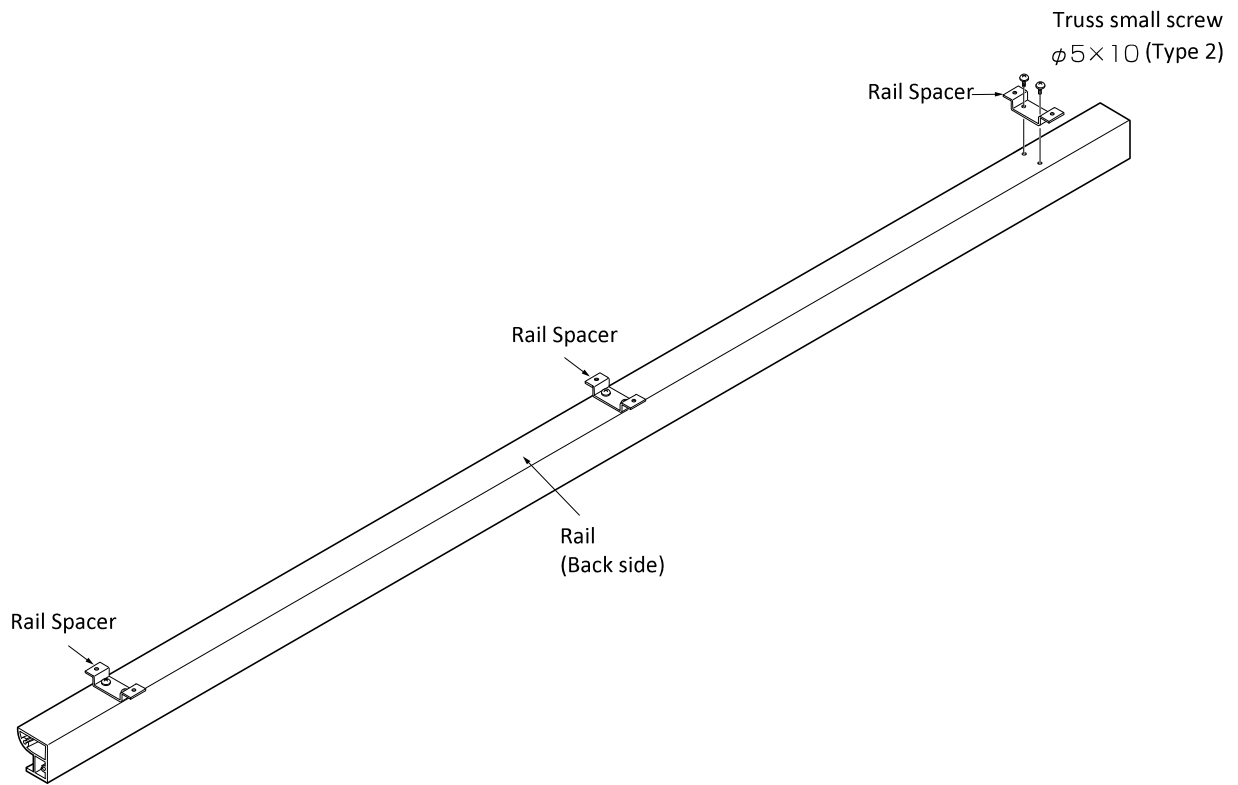


Side View

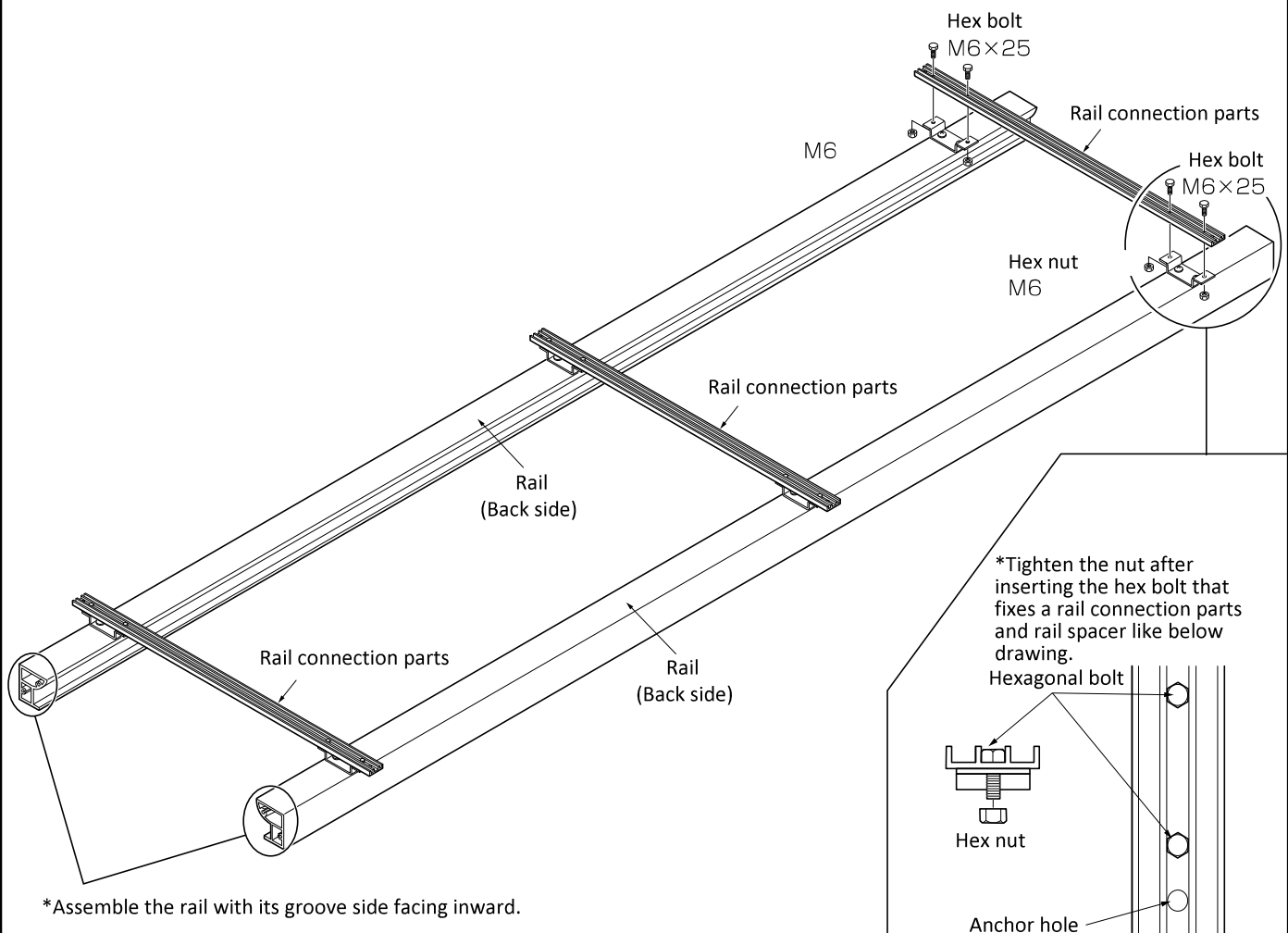
Remarks

Construction assembly in accordance with the assembly for low unit (9. page ④) and high unit (10. page ⑤). There is a case the bicycles may increase an interference each other if construction assembly is wrong because the original position is set to less the interference.

① Rail Spacer Mounting (Common in Front and Rear Rail)



② Rail Assembly

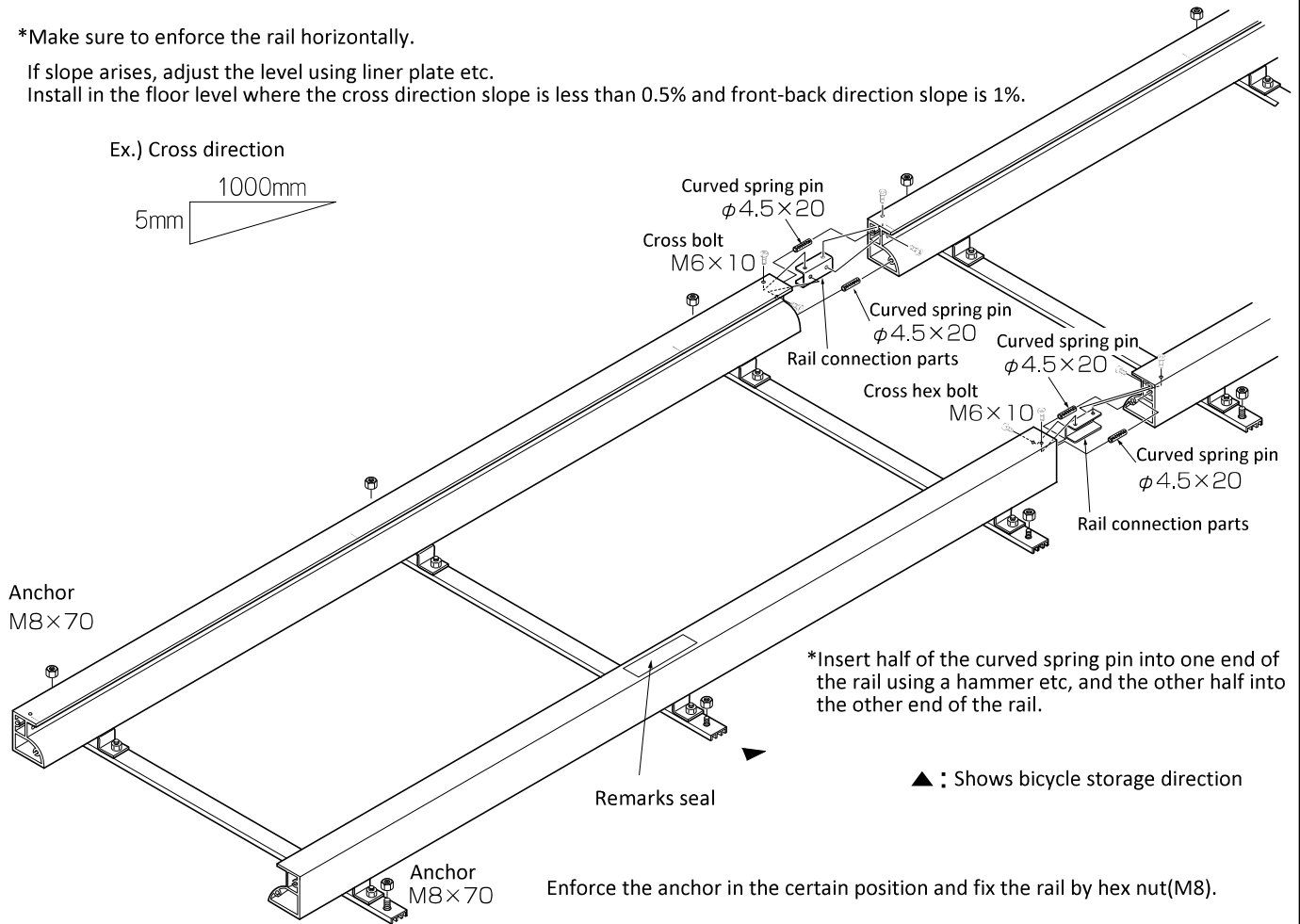


③ Rail Enforcement

*Make sure to enforce the rail horizontally.

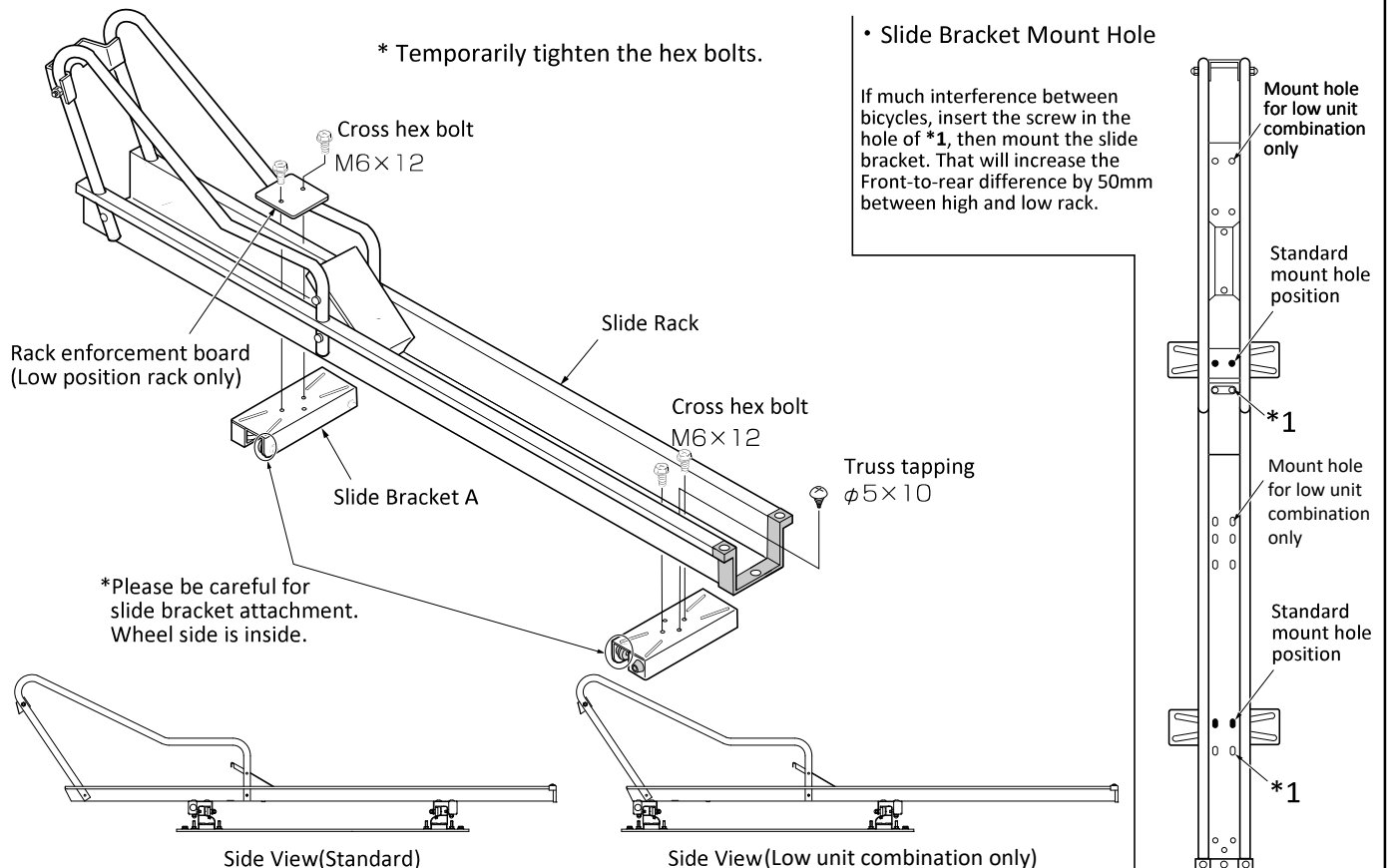
If slope arises, adjust the level using liner plate etc.

Install in the floor level where the cross direction slope is less than 0.5% and front-back direction slope is 1%.



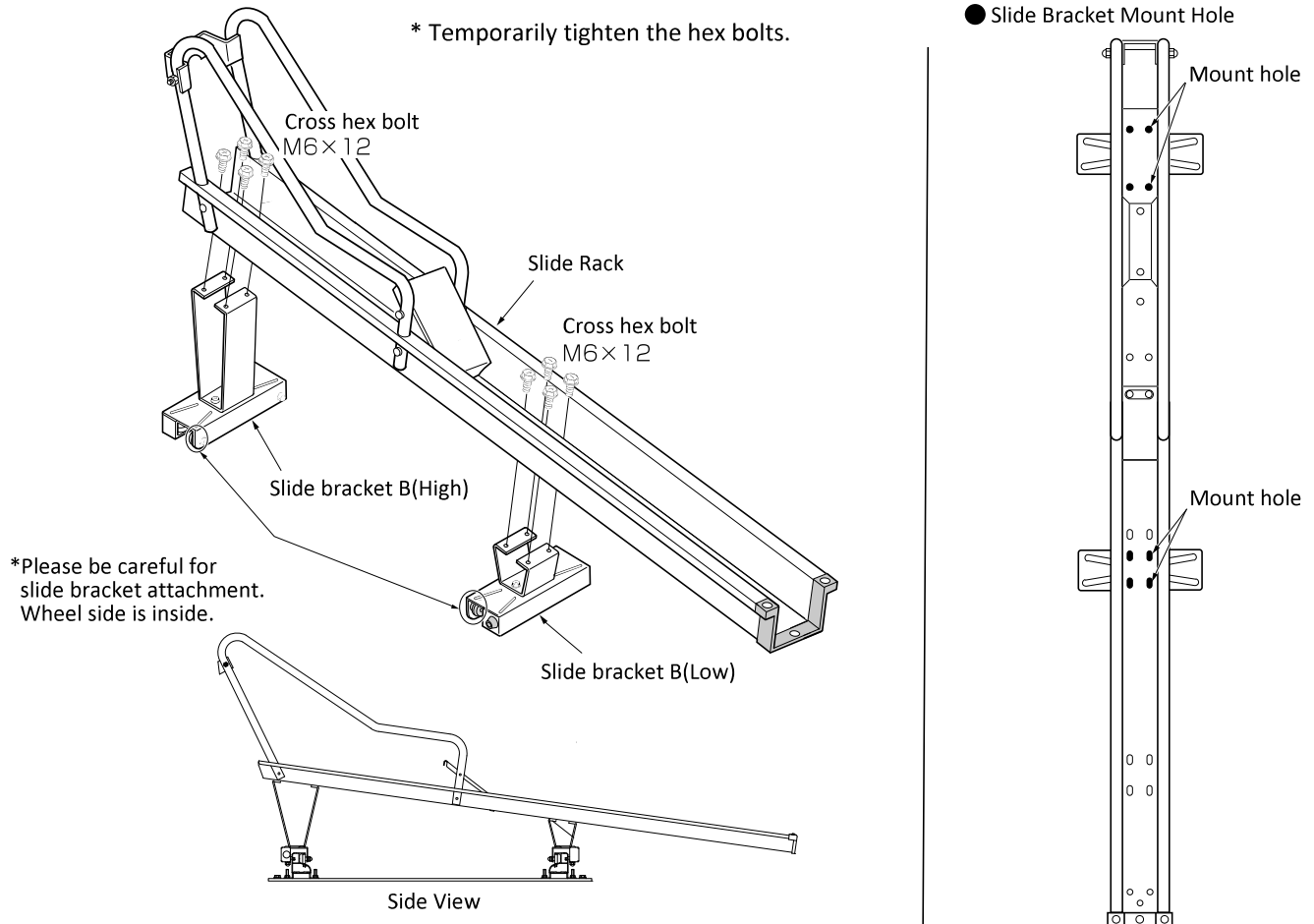
④ Assembly of Slide Rack Slide Bracket A (For Low Unit)

Combination case with two-tier rack



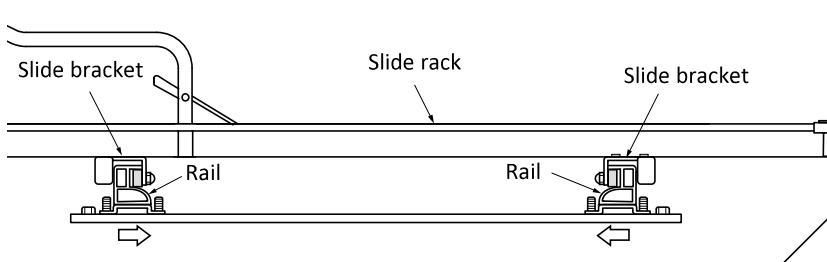
⑤ Assembly of Slide Rack Slide Bracket B (For High Unit)

Combination case with two-tier rack



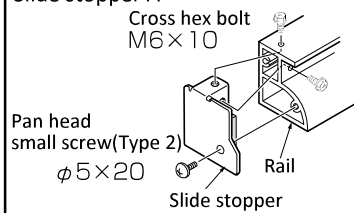
⑥ Assembly Slide Rack & Stopper

1) Insert Slide Rack in Rail.

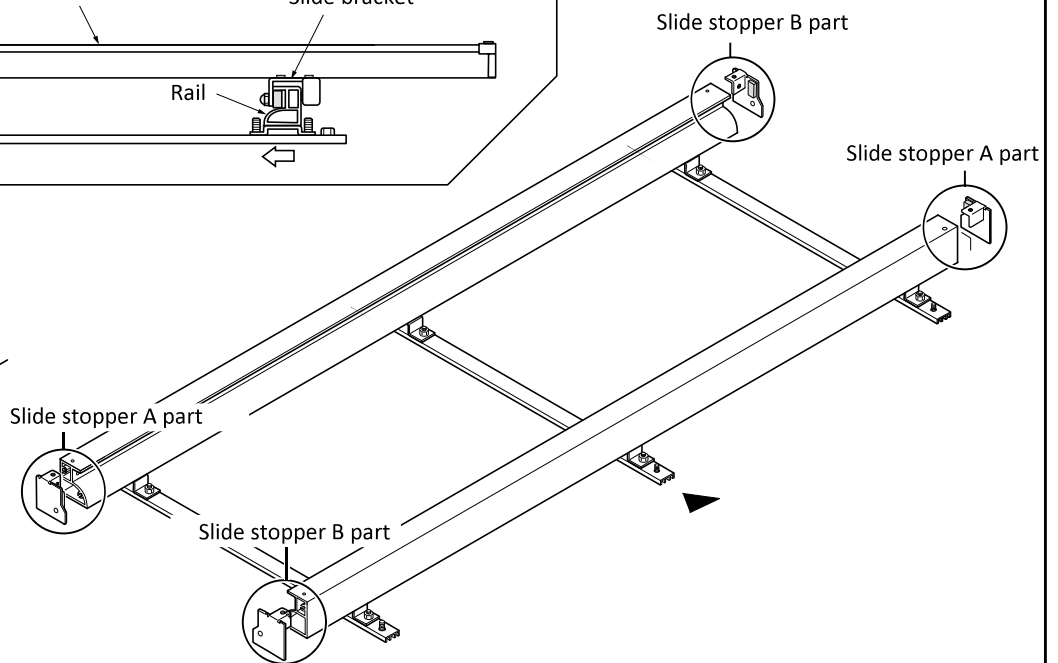
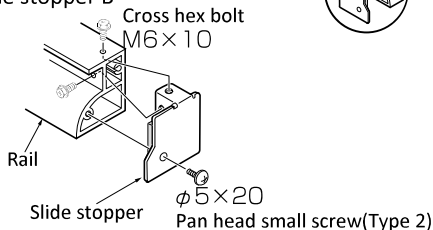


2) Mount stopper

Slide stopper A



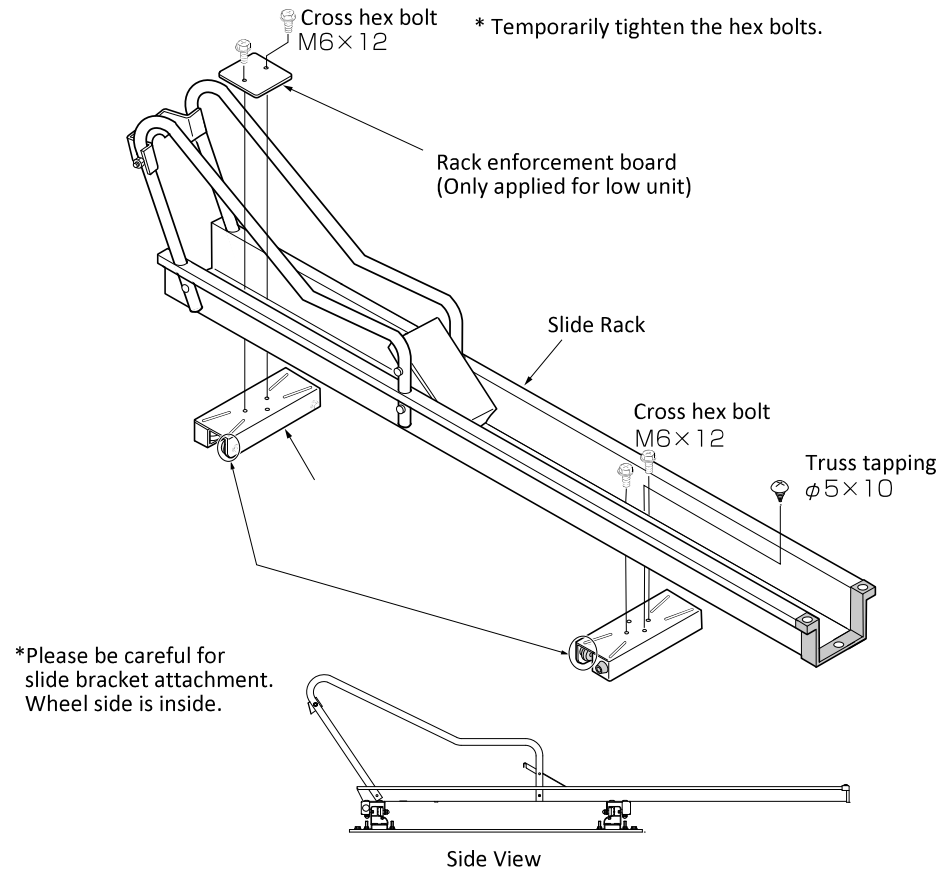
Slide stopper B



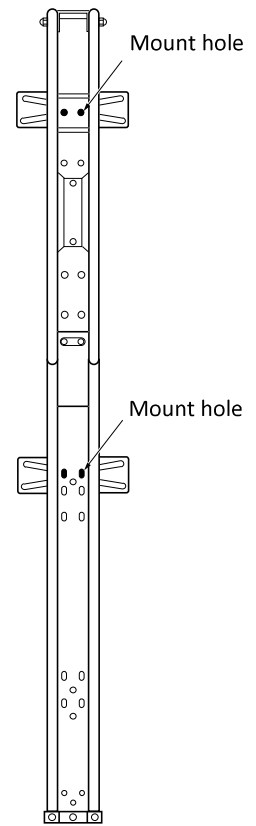
Make sure to confirm the movement after slide rack assembly.

④ Assembly of Slide Rack Slide Bracket A (For Low Unit)

Case of Slide Rack only

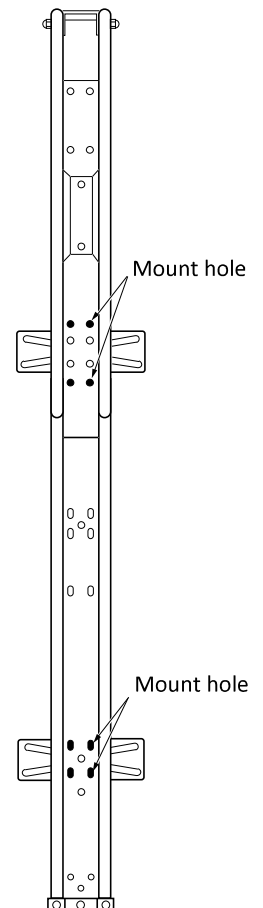
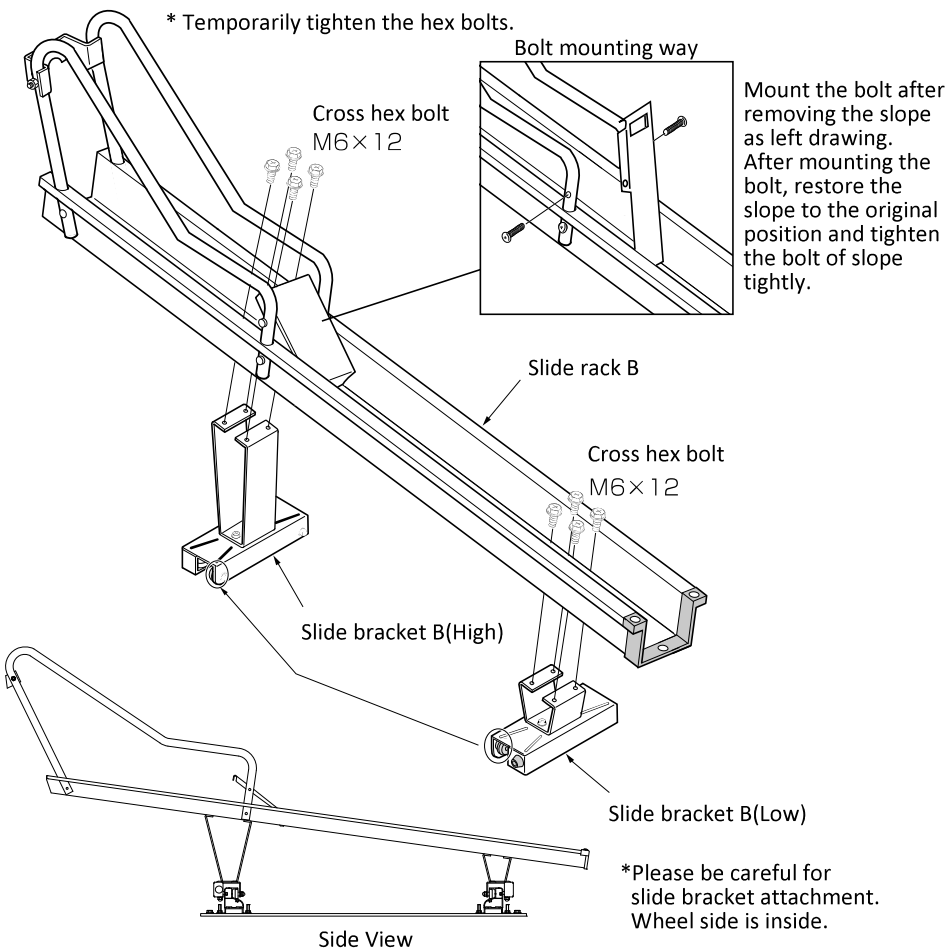


● Slide Bracket Mount Hole



⑤ Assembly of Slide Rack & Slide Bracket B (For High Unit)

Case of Slide Rack only



Refer to ①~③ • ⑥ about rail and stopper assembly.